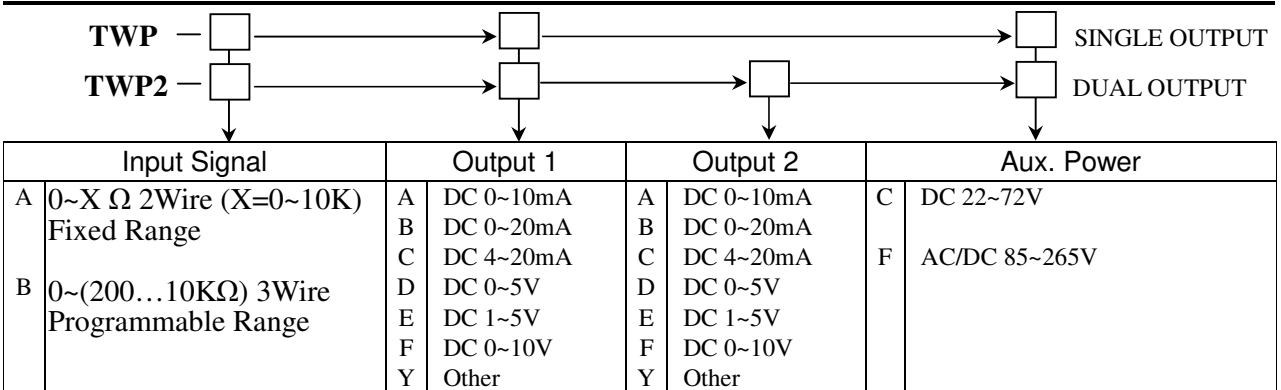
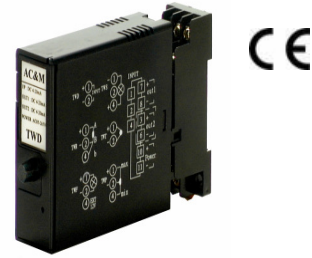


# AC&M Potentiometer 、 Level 、 Position Transmitter

## FEATURES :

- Aux. Power AC 85~265V or DC 85~300V
- High Accuracy  $\pm 0.1\%$ RO at  $23^{\circ}\text{C} \pm 5^{\circ}\text{C}$
- Input / Output User Selectable
- PC Plastic Case, DIN Rail or Wall Mounting
- High Dielectric Strength ( AC 1.5KV/Min , between Input / Output / Power )



## SPECIFICATIONS :

**Accuracy :**  $\pm 0.1\%$ RO at  $23^{\circ}\text{C} \pm 5^{\circ}\text{C}$

**Insulation Resistance :**  $\geq 100\text{M}\Omega$  / DC 500V

**Output Load :** DC Current Mode :  $> 750\Omega$  in Output 20mA , DC Voltage Mode : 10mA Maximum

**Dielectric Strength :** AC 1500V / Min , between Input / Output / Power.

**Linearity & Repeatability :**  $\leq 0.1\%$  Typical.

**Common Mode Rejection :**  $\geq 120\text{db}$  DC to 60Hz

**Stability :**  $\leq 0.2\%$  / Year.

**Adjust Range :** SPAN & ZERO  $\pm 10\%$

**Response Time :**  $\leq 400$  mS

**Ripple :**  $\leq 0.1\%$  rms RO

**Temperature Coefficient :**  $\leq 100\text{ppm} / ^{\circ}\text{C}$  From  $0 \sim 60^{\circ}\text{C}$  ;  $\leq 50\text{ppm} / 25^{\circ}\text{C} \pm 5^{\circ}\text{C}$

**Operation Condition :**  $-5^{\circ}\text{C} \sim +55^{\circ}\text{C}$  20~95% RH Non-Condensed.

**Storage Condition :**  $-10^{\circ}\text{C} \sim +70^{\circ}\text{C}$  20~95% RH Non-Condensed.

**Power Fluctuation Rate :** Power Could Support AC 85~265V or DC 24V  $\pm 10\%$

**Aux. Power Effect :**  $\leq 0.03\%$  / V

**CE Conformity :** EMI: EN 61000-6-4 EMS: EN 61000-6-2 LVD: EN 61010-1

**Housing Material :** Non-Combustible PC Products , Compliance With UL 94 CLASS V-0

**Mounting :** DIN Rail or Wall Mounting

**Dimension :** 27 W  $\times$  119 H  $\times$  72 L mm (Base)

## SCHEMATIC CIRCUITRY & CONNECTION DIAGRAM :

